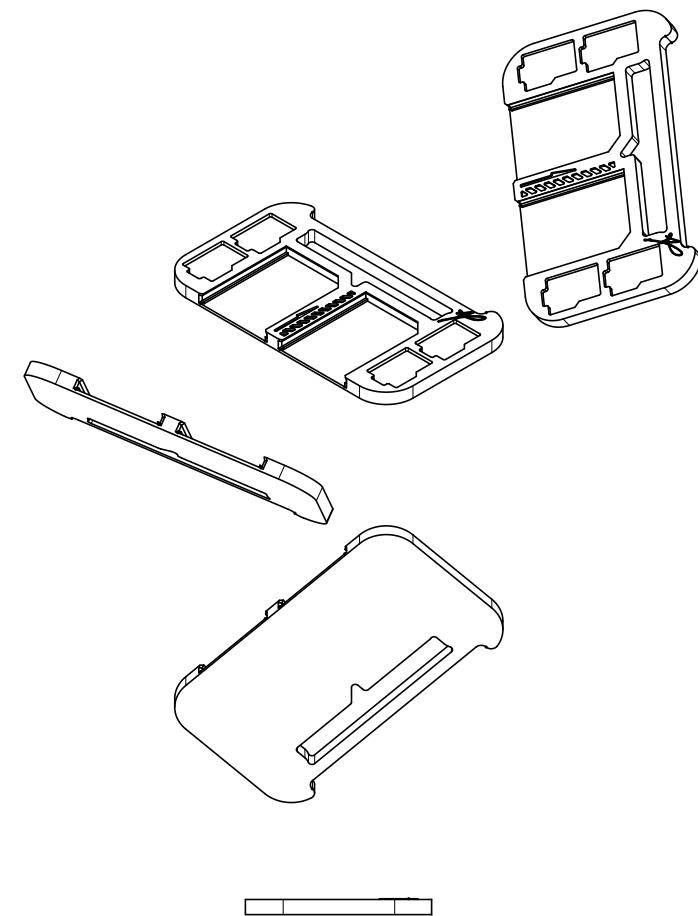
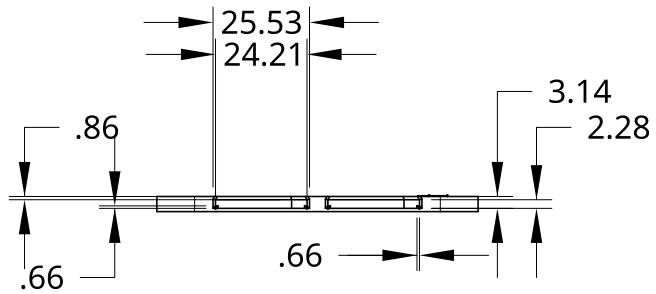
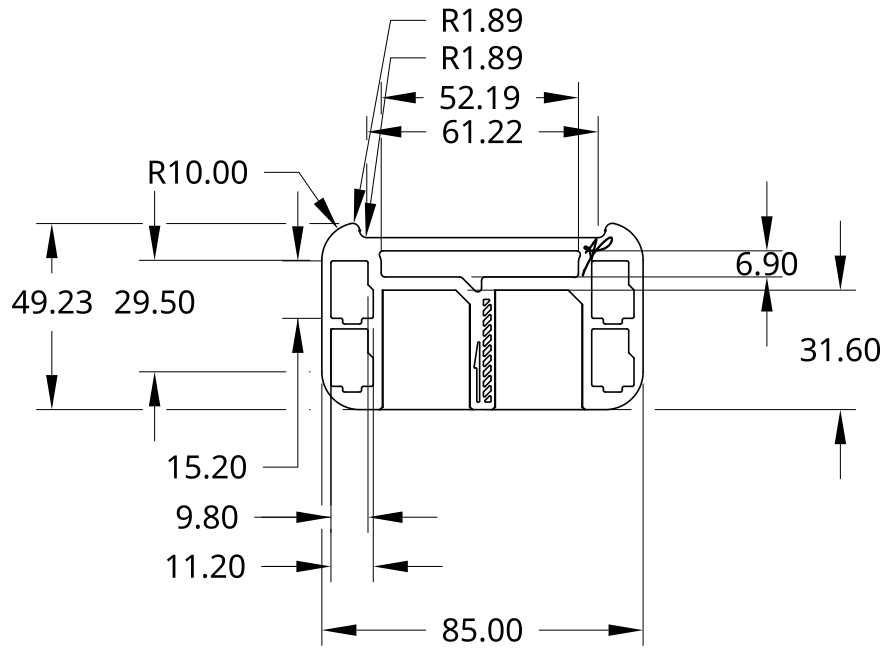


2

1



B

B

A

A

UNLESS OTHERWISE SPECIFIED, DIMENSIONS ARE IN MILLIMETERS .XX = ±0- .XXX = ±.00- .XXXX = ±.000- SURFACE FINISH		NAME	DATE	TITLE <b>BARKLEYS Gum Tin SD Card Holder Insert</b>	
DO NOT SCALE DRAWING	DRAWN	LOUIS DALIBARD	10/30/2024		
BREAK ALL SHARP EDGES AND REMOVE BURRS	CHECKED				
THIRD ANGLE PROJECTION	APPROVED				
	MATERIAL	FINISH	SIZE <b>A</b>	DWG NO. <b>1</b>	REV. <b>1</b>
			SCALE 1:2	WEIGHT	SHEET 1 of 1

2

1